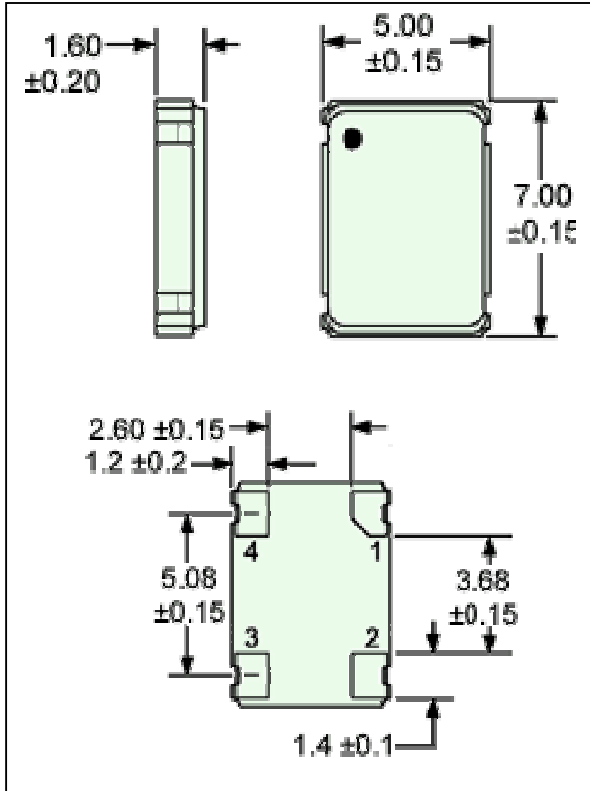




FEATURE

- Low Height
- Wide frequency range from 1.000 MHz upto 200.000 MHz
- High speed CMOS
- RoHS Compliant Standard



Pin Configuration
 Pin 1: No Connection
 E/D Control (Optional)
 Pin 2: Ground
 Pin 3: Output
 Pin 4: DC Input

Parameters	
Frequency Range:	1.000 MHz – 200.000 MHz
Output Drive:	1 to 10 TTL gates (or) 15 pF to 50 pF
Logic Levels:	For 5 Volts - '0' = 0.5V Max. '1' = +4.5 V min. For 3.3 Volts - '0' = 0.4V Max. '1' = +3.0 V min.
Rise / Fall time:	10 nS max. (1.000 MHz – 9.999 MHz) 5 Ns max. (10.000 MHz – 66.666 MHz)
Start up time:	15 mS max. (1.000 MHz – 9.999 MHz) 10 mS max. (10.000 MHz – 125.000 MHz)
Waveform Symmetry:	60/40% (or) 40/ 60 % (Typical)
Output Waveform:	Square Wave
Frequency Stability:	Select from table below
Temperature Range:	Select from table below
Supply Voltage (V _{CC}):	+5.0V DC ($\pm 10\%$) +3.3V DC ($\pm 10\%$) +2.5V DC ($\pm 10\%$) +1.8V DC ($\pm 10\%$)
Supply Current:	For 5.0 Volts: 60 mA max For 3.3 Volts: 35 mA max For 2.5 Volts: 30 mA max For 1.8 Volts: 20 mA max
Ageing:	± 5 ppm per year max.
Storage Temperature Range:	-40 to +85 °C

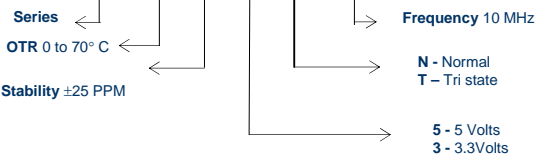
Operating Temperature Range	
Code	Range
F	0°C to +70°C
E	-10°C to +70°C
C	-20°C to +70°C
I	-40°C to +85°C

Frequency Stability (Inclusive of Operating Temperature Range)	
Code	Stability
G	± 25 PPM
H	± 30 PPM
M	± 50 PPM
K	± 100 PPM

Ordering Information

Example

CXO **7050** **F** **G** **5** **N** **010M000000**



Specifications subject to change without notice
 Revision No. 12b of May 2008