



**FEATURE**

- All metal welded package
- Wide frequency range from 250 KHz upto 125 MHz
- RoHS Compliant Standard

Table 1

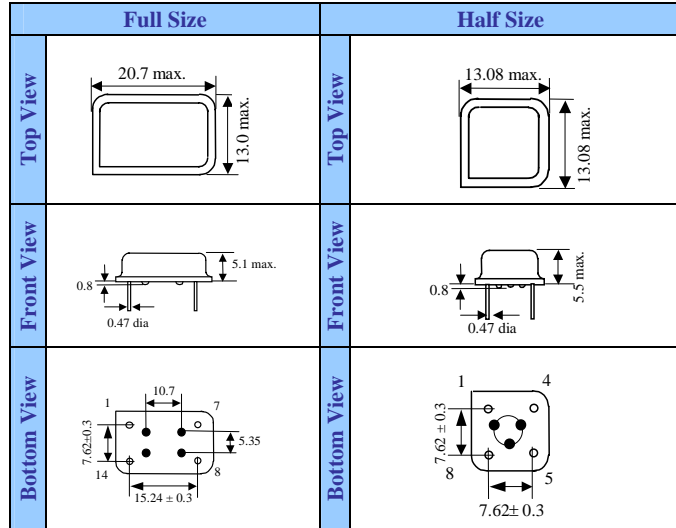
Codes	Stability Codes	D	E	F	G	M	K
		±10 PPM	±15 PPM	±20 PPM	±25 PPM	±50 PPM	±100 PPM
A	0 to +50° C						
B	0 to +60° C						
F	0 to +70° C						
D	-10 to +60° C						
E	-10 to +70° C						
C	-20 to +70° C						
G	-30 to +80° C						
H	-30 to +85° C						
I	-40 to +85° C						
J	-40 to +90° C						
K	-55 to +105° C						
L	-55 to +125° C						

Denotes Available    Denotes not Available

Table 2

Supply Voltage	2.5 V	1.8 V
Series	CXO-250	CXO-275
	CXO-850	CXO-875

**MECHANICAL SPECIFICATIONS**



Note: Sharp edge indicates Pin 1.    ▲ All dimensions are in mm.

Pin Configuration for Full Size-DIL 14

- 1 : No connection  
E/D control (optional)
- 7 : Ground
- 8 : Output
- 14 : DC Input

Pin Configuration for Half Size-DIL8

- 1 : No connection  
E/D control (optional)
- 4 : Ground
- 5 : Output
- 8 : DC Input

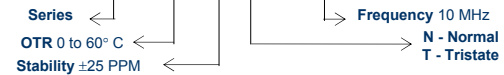
Parameters	HCMOS
<b>Series:</b> CxO-250 & CXO-275 (Full Size-DIL14) CxO-850 & CXO-875 (Half Size-DIL8)	■
<b>Frequency Range:</b> 250 KHz – 125 MHz (CXO-250 & CXO-850) 250 KHz – 70 MHz (CXO-275 & CXO-875)	■
<b>Output Drive:</b> 50 pF max.	■
<b>Logic Levels:</b> '0' = 10% of Vcc max. & '1' = 90% of Vcc min.	■
<b>Rise / Fall time:</b> 10 ns max. (Between Logic 0 & Logic 1 Level)	■
<b>Start up time:</b> 10 ms max	■
<b>Waveform Symmetry:</b> 40 to 60 % @ ½ Vcc	■
<b>Output Waveform:</b> Square Wave	■
<b>Frequency Stability:</b> (Table 1)	□
<b>Temperature Range:</b> (Table 1)	□
<b>Supply voltage (V<sub>CC</sub>):</b> (Table 2) +2.5V DC (±10%) +1.8V DC (±10%)	■
<b>Input current:</b> 30 mA max	■
<b>Tristate option:</b> Out put enable when pin 1 is .7 Vcc min. (or) open /output disable when pin 1 is 0.3 Vcc max. (or) Ground	■
<b>Storage Temperature Range:</b> -55 to +125° C	■
<b>Ageing:</b> ± 5 ppm per year max.	■

■ Standard, □ Optional – please specify required code(s) when ordering.

**Ordering Information**

**Example**

CXO 250 B G N 010M000000



Specifications subject to change without notice  
Revision No. 12b of May 2008

**ANDHRA ELECTRONICS LIMITED**

34 & 35, IDA, Kakinada, AP – 533 005,  
INDIA.  
URL: www.andhraelec.com

Phone: +91-884-2342203  
Fax: +91-884-2341145  
E-mail: info@andhraelec.com