



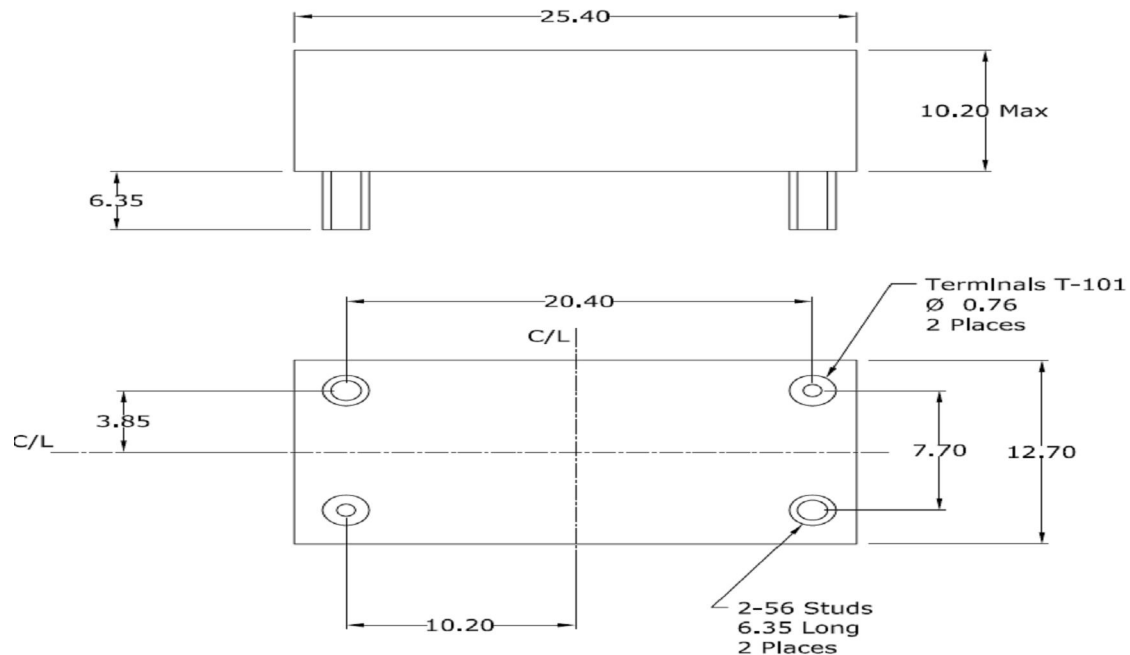
# ANDHRA ELECTRONICS LIMITED

## BAND PASS FILTER

PART NO: AE.BPF.3934

FREQ : 393.4 MHz

1. Center Frequency(Fc)	:	393.4 MHz
2. Insertion Loss	:	3dB(max)
3. Pass Band@3dB	:	$F_c \pm 5$ MHz
4. Ripple In Pass Band	:	0.5dBMax
5. Rejection @ 50 dB	:	$F_c \pm 56$ MHz
6. Impedance	:	50 $\Omega$
7. Spurious	:	60dBMin
8. VSWR(IN&OUT)	:	1.4:1
9. Operating Temperature	:	-40 to +85degC
10. Package	:	Pin Version
11. Dimensions	:	25.40x12.70x10.20



All Dimensions are in mm

Plot Nos.34 & 35, Industrial Development Area, KAKINADA - 533 005, INDIA.

Phone: 91-884-2342203 / 2341850 / 2379407 ♣ Fax: 91-884-2341145 / 2379408

E-mail: [info@andhraelec.com](mailto:info@andhraelec.com) ♣ [www.andhraelec.com](http://www.andhraelec.com)

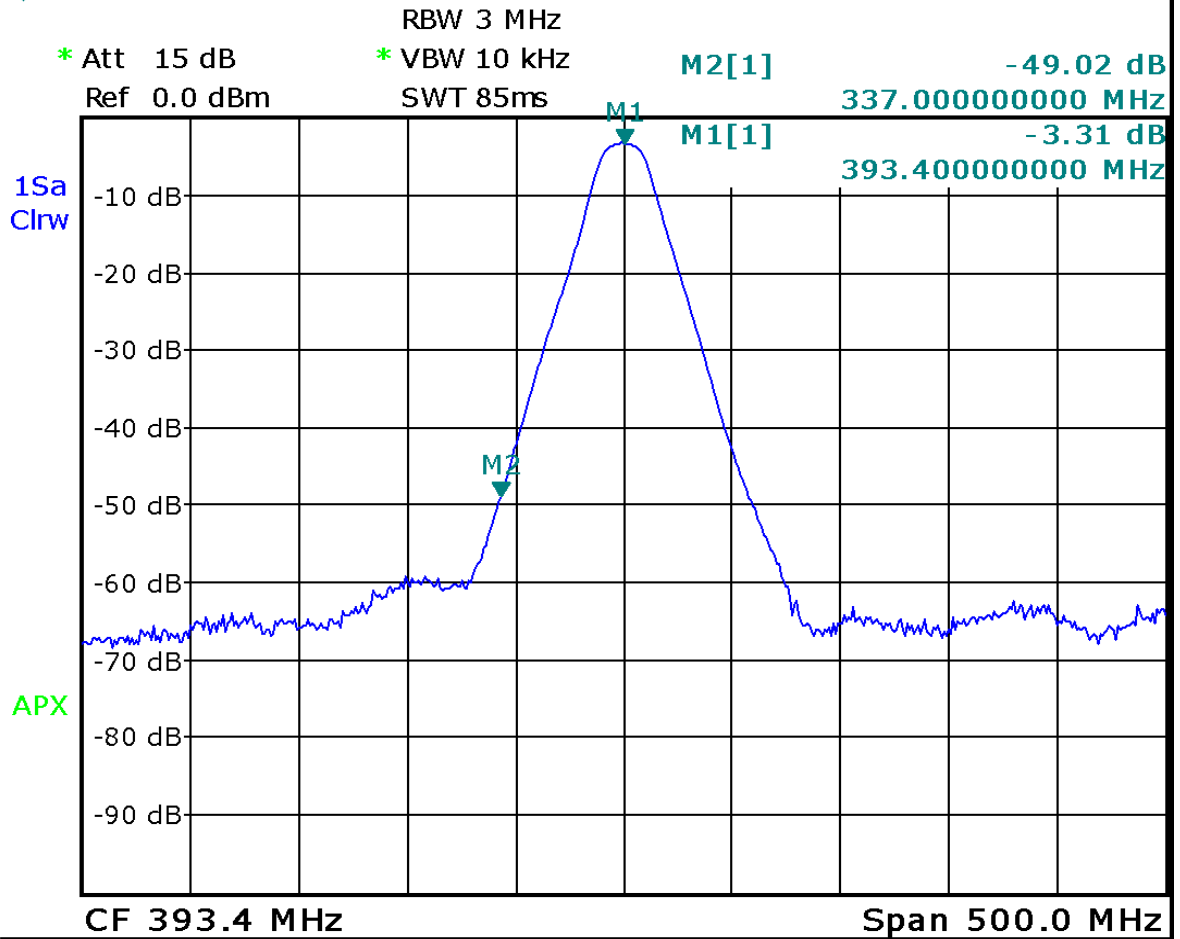
ISO 9001

BUREAU VERITAS  
Certification





# ANDHRA ELECTRONICS LIMITED



Date: 26.JUL.2010 16:02:34

Plot Nos.34 & 35, Industrial Development Area, KAKINADA - 533 005, INDIA.  
Phone: 91-884-2342203 / 2341850 / 2379407 ♣ Fax: 91-884-2341145 / 2379408  
E-mail: [info@andhraelec.com](mailto:info@andhraelec.com) ♣ [www.andhraelec.com](http://www.andhraelec.com)

