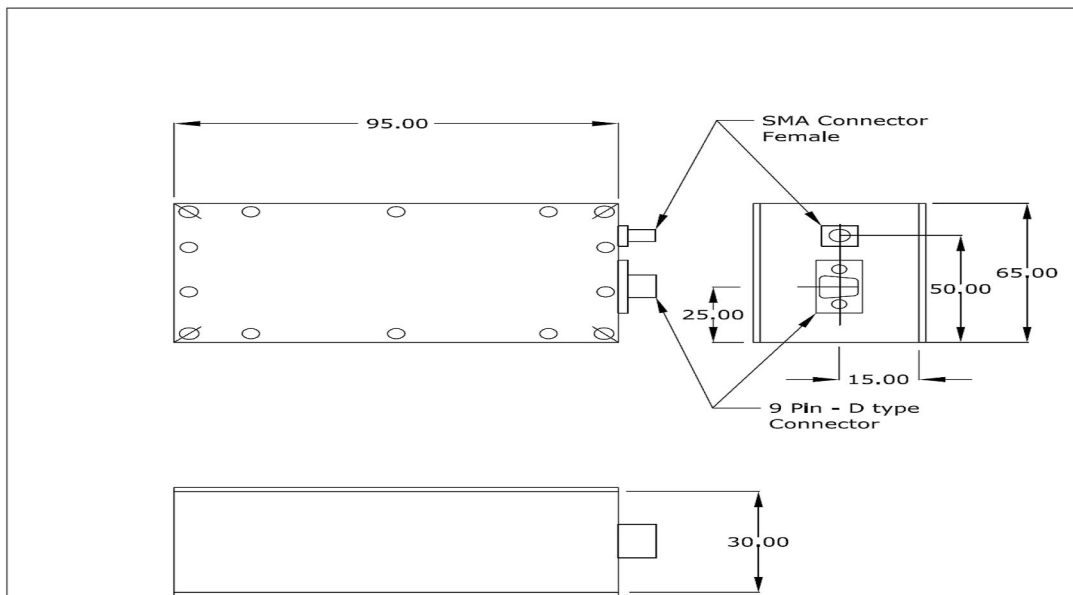




# ANDHRA ELECTRONICS LIMITED

## Frequency synthesizer

Operating Frequency	:	470 MHz to 520 MHz
Step size	:	100 KHz
Frequency Reference	:	Internal
Internal Ref.Frequency	:	10 MHz
Output Power	:	0 dBm $\pm$ 0.5 dB
Output Impedance	:	50 $\Omega$
Memory Function	:	yes
Supply Voltage DC	:	+12V
Current	:	90 mA
Output Connector	:	SMA (F)
DC Connector	:	D-Type 9-pin
Operating Temperature	:	0 to 60°C
Frequency Adjustment	:	RS 232
Dimensions	:	90x60x25mm



### Note:

All Dimensions are in mm.

Drawing is not to scale.

Tolerance is  $\pm 0.1$ mm.

Material is Aluminium.

All corners are must be with 3mm fillet.

Part Number: AE-PLL-470-520	Drawn By: UKNR	Andhra Electronics	
Part Name: PLL Module	Approved By: MMDI	version 00	Date: 27-11-09

Plot Nos.34 & 35, Industrial Development Area, KAKINADA - 533 005, INDIA.

Phone: 91-884-2342203 / 2341850 / 2379407 ♣ Fax: 91-884-2341145 / 2379408

E-mail: [info@andhraelec.com](mailto:info@andhraelec.com) ♣ [www.andhraelec.com](http://www.andhraelec.com)

ISO 9001

BUREAU VERITAS  
Certification

