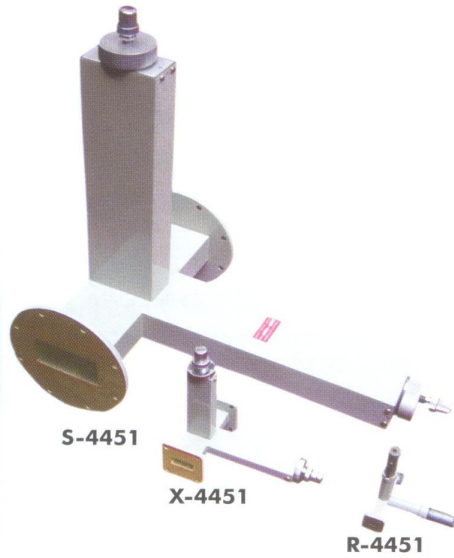


## E-H TUNERS



- Model 4451 E-H Tuners are exceptionally a mismatch correcting device.
- These consists of a section of waveguide flanged at both ends and waveguide arms which are mounted in the centre of the waveguide at right angles to each other, which are each terminated in a movable short circuit.
- These two arms form the series and shunt reactances in the form of tuned circuits as matching devices.

| Model No. | Frequency Range (GHz) | Waveguide Type (WR-) | Flanges Type (UG-/U) |
|-----------|-----------------------|----------------------|----------------------|
| L-4451    | 1.70-2.60             | 430                  | CPR-430              |
| S-4451    | 2.60-3.95             | 284                  | 53                   |
| C-4451    | 3.95-5.85             | 187                  | 149A                 |
| J-4451    | 5.85-8.20             | 137                  | 344                  |
| X-4451    | 8.20-12.4             | 90                   | 39                   |
| Ku-4451   | 12.4-18.0             | 62                   | 419                  |